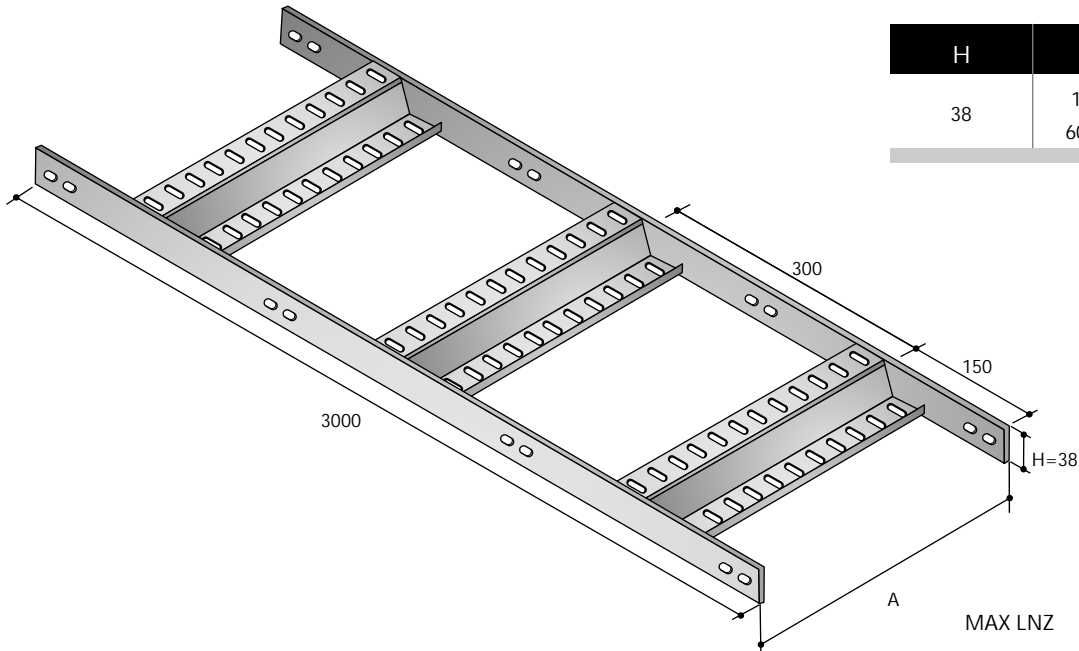


LEITO NAVAL

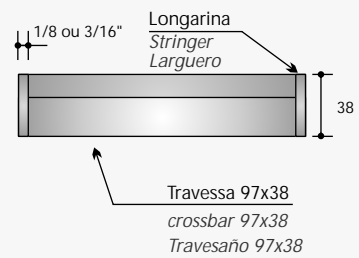
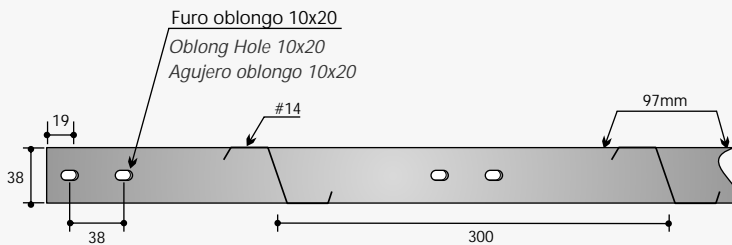
Naval tray / Soporte naval

Leito Naval "Z"

Naval tray "Z"
Soporte naval "Z"

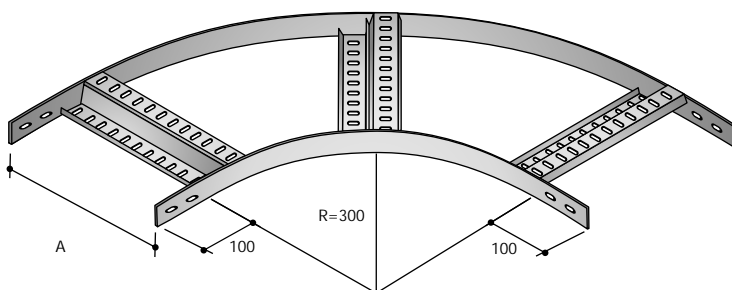


H	A
38	100 150 200 250 300 400 500 600 700 750 800 900 1000 1200



Curva horizontal 90° "Z"

90° Horizontal "Z" Bend
Curva horizontal 90° "Z"



MAX LNZ.CH9

Leito Naval

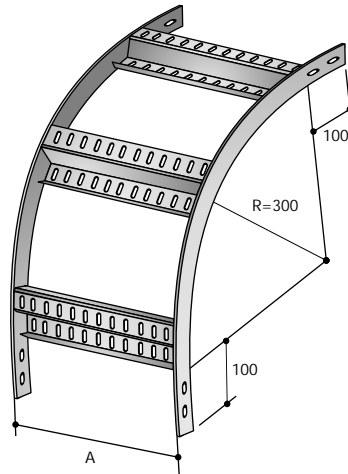
Naval tray / Soporte naval

Leitos e Acessórios

Trays and Accessories / Soportes y Accesorios

Curva vertical 90° "Z"

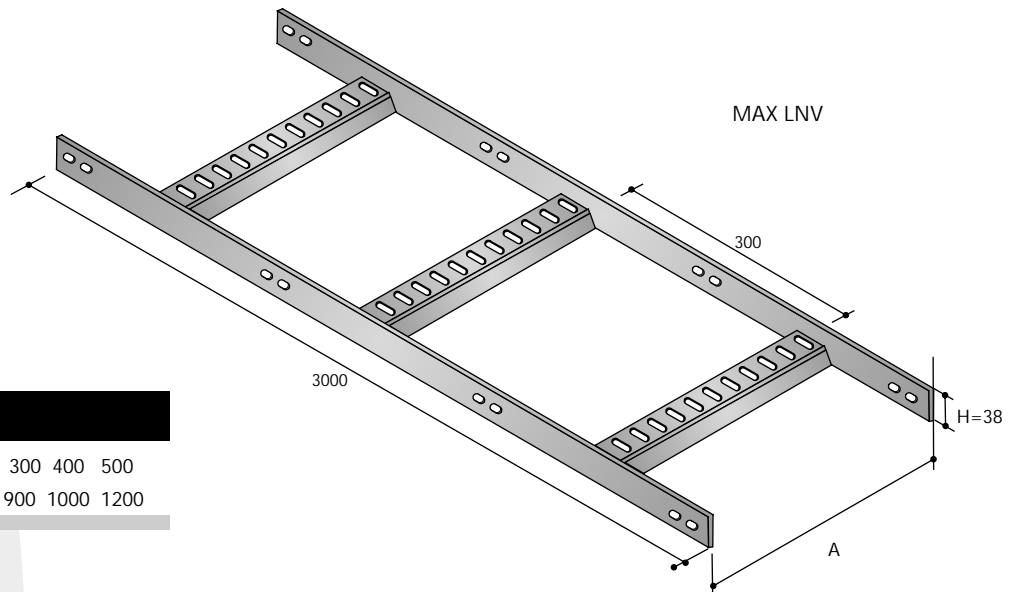
90° Vertical "Z" Bend
Curva vertical 90° "Z"



MAX LN.Z.CV9

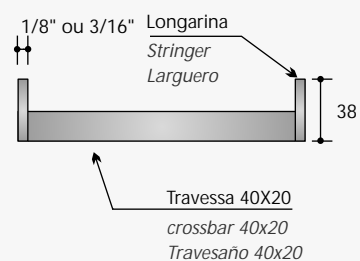
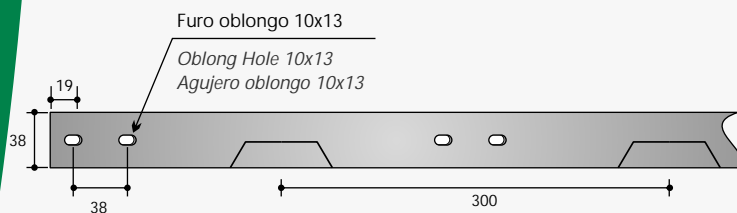
Leito Naval "V"

"V" Naval Tray
Soporte Naval "V"



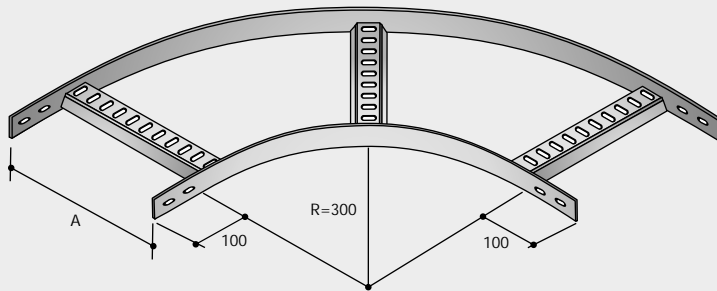
MAX LNV

H	A
38	100 150 200 250 300 400 500
	600 700 750 800 900 1000 1200



Curva horizontal 90° "V"

90° Horizontal "V" Bend
Curva horizontal 90° "V"



MAX LNV.CH9

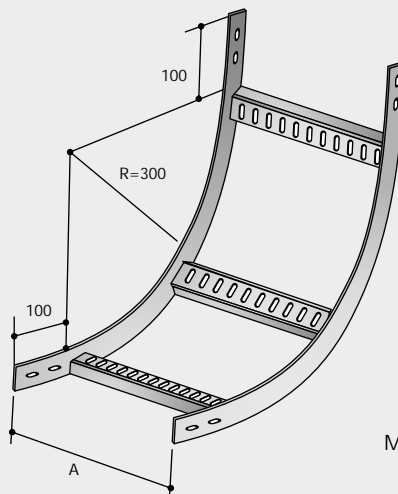
Curva horizontal 90° "V" MAX LNV.CH9

MAX LNV.CH9 90° Horizontal "V" Bend

Curva horizontal 90° "V" MAX LNV. CH9

Curva vertical interna 90° "V"

Vertical "V" Bend
Curva vertical externa 90° "V"



MAX LNV.CI9

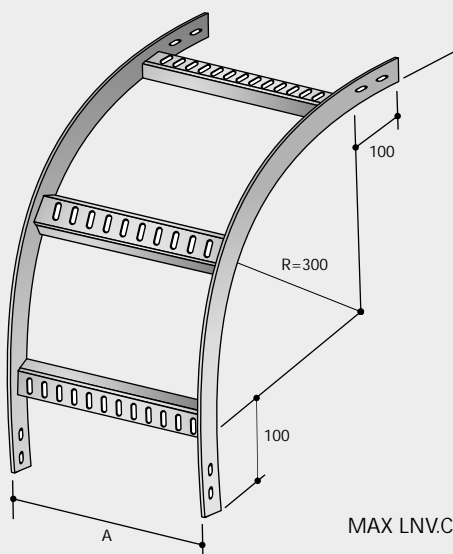
Curva vertical interna 90° "V" MAX LNV.CI9

MAX LNV.CI9 90° Vertical "V" Bend

Curva vertical interna 90° "V" MAX LNV. CI9

Curva vertical externa 90° "V"

90° External Vertical "V" Bend
Curva vertical externa 90° "V"



MAX LNV.CE9

Curva vertical externa 90° "V" MAX LNV.CE9

MAX LNV.CE9 External Vertical "V" Bend

Curva vertical externa 90° "V" MAX LNV. CE9